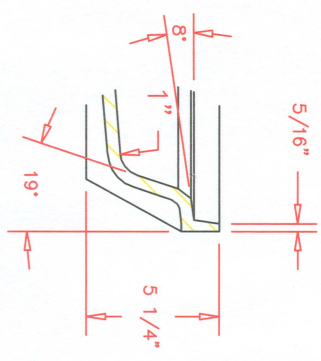
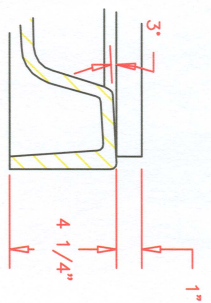


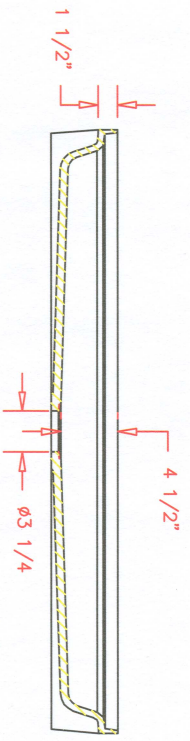
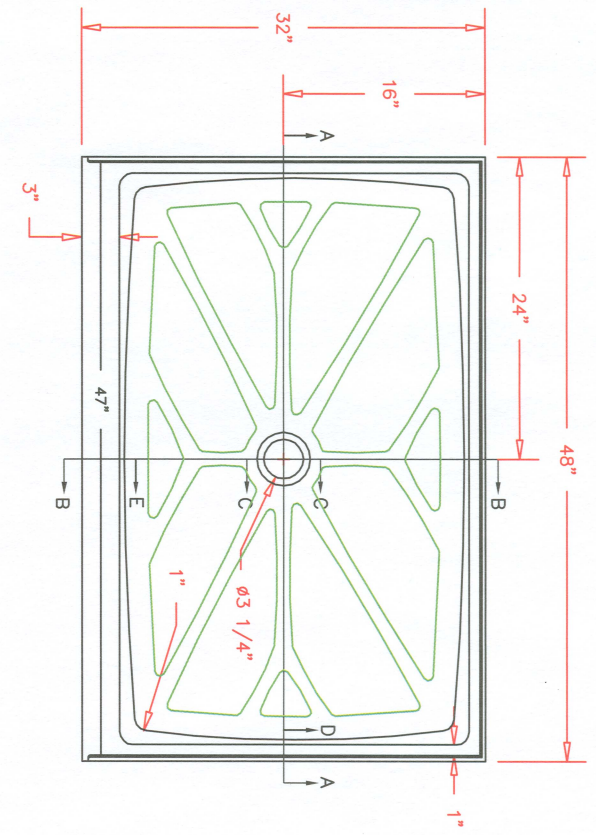
Rev #	
Rev #	



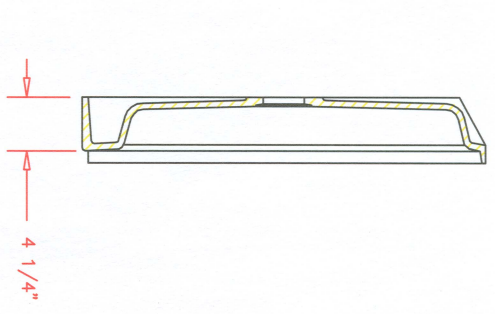
Section D-A



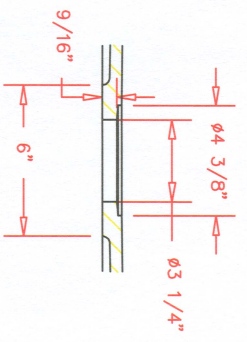
Section E-B



Section A-A



Section B-B



Section C-C

Shower Pan conforms to ANSI Z124.12
Refer to installation instructions included with shower pan prior to installation
Installation instructions can also be downloaded from www.transolid.com
Overall dimensional tolerance is + 3/8" / - 1/4"
Rough Opening is width + 3/8"

Customer Approval:
Path: @Engineering\1_decor\showerpans

Date:



transolid™
2599 Charlotte Hwy,
Moorestville, N.C. 28117
704-660-7660
FAX 704-660-7661
www.transolid.com

Part Number:	7PAN3248SCCXX		
Description:	32" x 48" Decor Shower Pan, Single Threshold, Center/Drain		
Date Drawn:	3/13/07	Weight:	100 lbs. (45.5 kgs.)
Scale:	None	Drawn By:	Carlos Hernandez
Revised By:	Jeff Smith	Date Revised:	3/28/07
Approved By:			