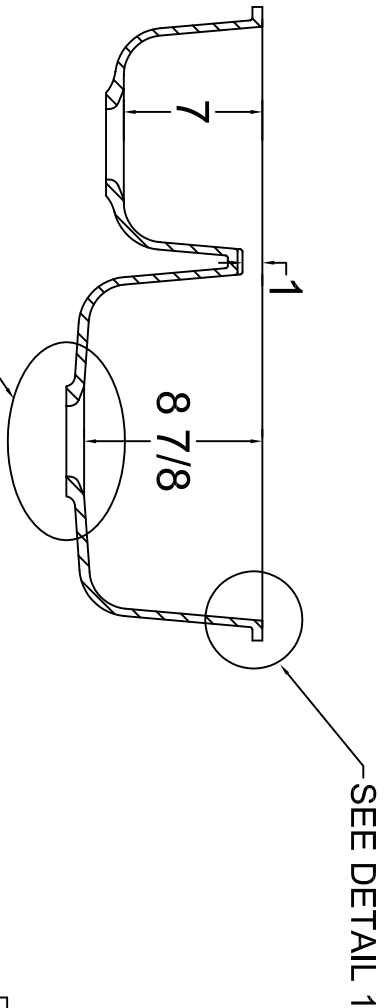
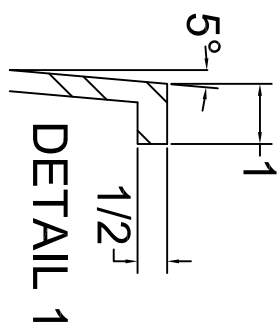


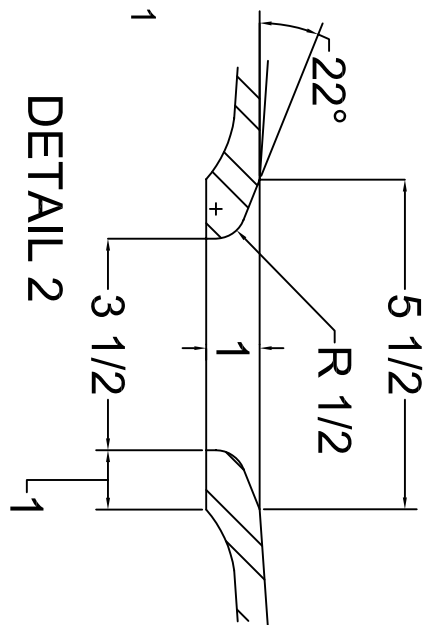
PLAN VIEW



CROSS SECTION A-A



DETAIL 1



DETAIL 2

<b>TRANSOLID™</b> SOLID SURFACE SOLUTIONS 2599 Charlotte Highway Mooresville, NC 28117 (704) 660-7660	
KDU3221	
Dr. L. Hensley App. By:	Part No. 7KDU0322100xx Dr. Date: 12-6-05 Rev. No. N/A
Scale:	No. 1 of 1