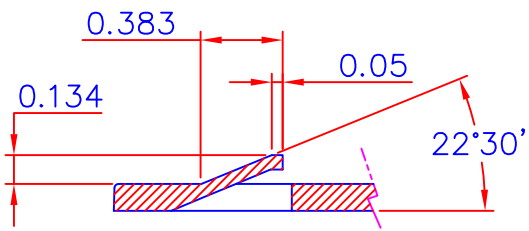
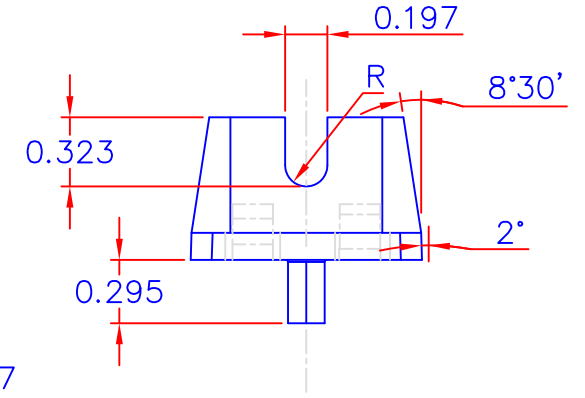
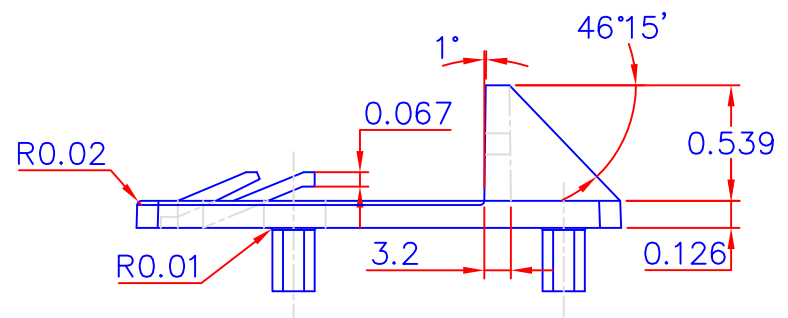


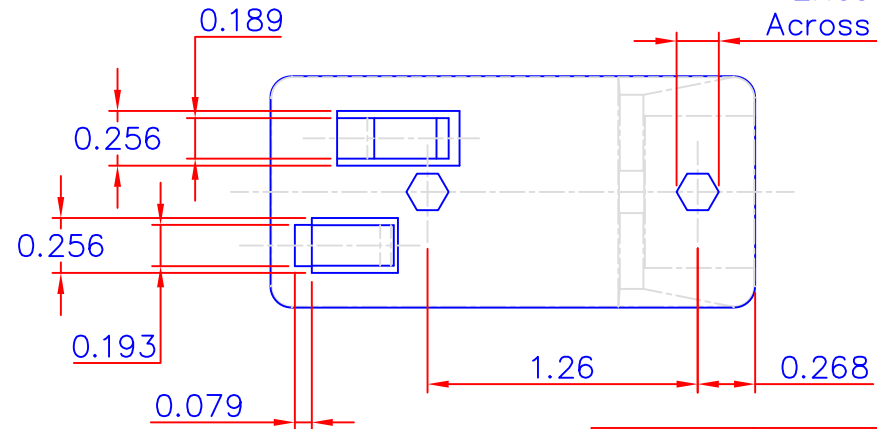
SECTION AT YY



SECTION AT XX



2Nos-0.197  
Across Corners



SYM	DESCRIPTION	DATE
BAINBRIDGE MANUFACTURING INC. 237W, 3rd STREET, WATERVILLE, WA.98858 509-745-9555 FAX - 509-745 9666		
SCALE -	1:1	APPROVED BY
DATE -	05/20/03	DRAWN BY
PART DESCRIPTION		
PART NUMBER		CUSTOMER DRAWING
3220		

MATERIAL	TOLERANCES VARY AND ARE NOT CRITICAL
-	