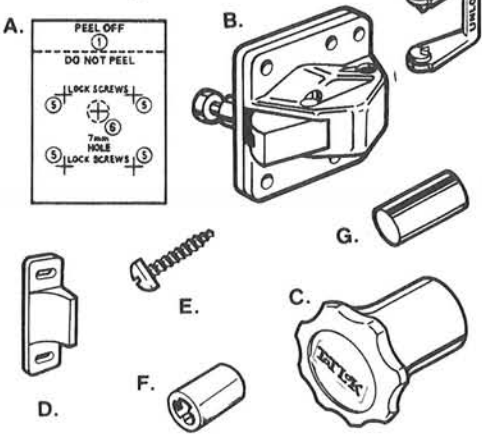


# TOT-LOK INSTALLATION INSTRUCTIONS

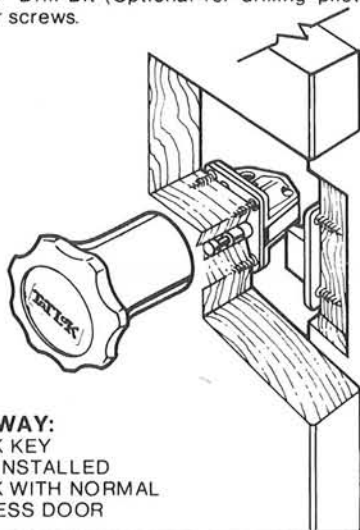
## COMPONENT IDENTIFICATION:

- A. Installation Guide (Template)
- B. TOT-LOK Assembly (w/Plunger)
- C. TOT-LOK Key
- D. Striking Plate
- E. Screws: #4 x 1/2" Pan Head Phillips
- F. Drill Depth Gauge
- G. Locking Slug
- H. Unlocking Bar



## TOOLS REQUIRED:

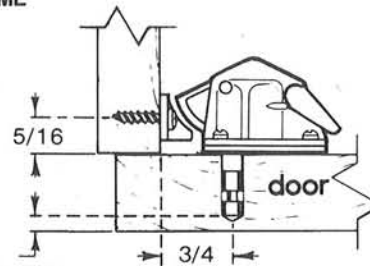
- 1 - Phillips Screwdriver
- 1 - Punch or Nail
- 1 - Power Drill
- 1 - 7 mm or 9/32" Drill Bit
- 1 - 1/16" Drill Bit (Optional for drilling pilot holes) for screws.



**CUT A WAY:**  
TOT-LOK KEY  
OPENS INSTALLED  
TOT-LOK WITH NORMAL  
THICKNESS DOOR

## OVERLAPPING DOOR (Normal Thickness)

### FRAME



3/16 MIN

### NOTE:

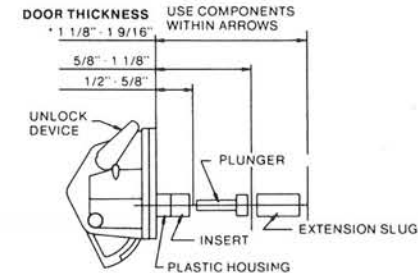
This magnetic lock & key assembly is specifically designed for 5/8" - 1 1/16" thick door and drawer fronts. Due to some drawer construction being double thickness, the extension slug might be required.

(See chart on next page)

The red unlocking bar will enable you to disengage the lock for extended periods. Always be sure to reactivate the lock by pushing the bar down again. Install red unlocking bar in hole on one side with unlock letters up, then straddle the housing and pop in the opposite side. The bar is not meant to be over stretched.

DOOR THICKNESS	LOCK CONFIGURATION (Reference to figure 1)
1/2" - 5/8"	Omit plunger and extension slug
5/8" - 1 1/8"	Omit extension slug
*1 1/8" - 1 9/16"	Use all components

\*\* Plunger must be inserted in insert for lock to function properly.



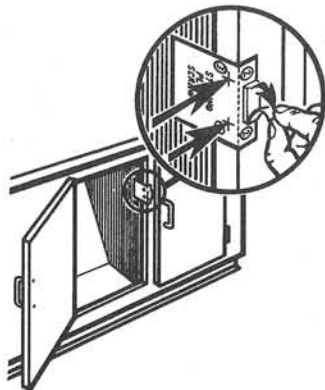
## QUESTIONS OR COMMENTS?

Call our 1-800-626-1126 Customer Service Hotline, Monday - Friday, 8:00 AM to 5:00 PM, Eastern

©1991 **REV-A-SHELF, INC.**  
*Your Total Accessory Source!*

P.O. BOX 99585 JEFFERSONTOWN, KY 40299-0585  
FORM # 1 - TLRAS 91

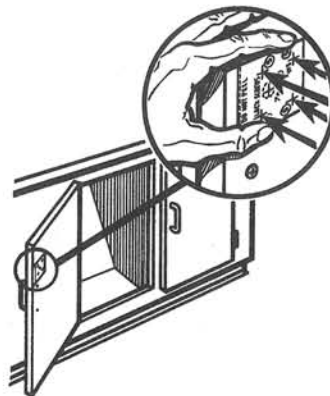
1



## STEP BY STEP - READ BEFORE YOU START

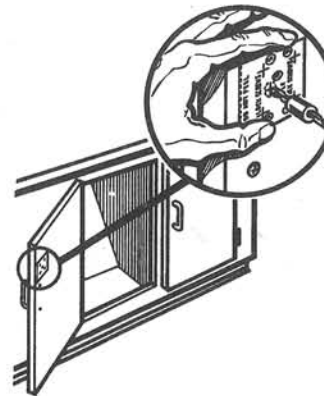
Peel narrow backing paper strip from the installation guide's "LOCKSCREWS" side. Position guide as shown and use punch to mark striking plate hole location (2 arrows). Now peel backing paper from foam tape (small arrow).

2



Close door firmly on foam tape. This will transfer guide to exact location on inside of door (or drawer). Open door, hold guide down, and mark 4 screw locations for lock installation (4 arrows).

3

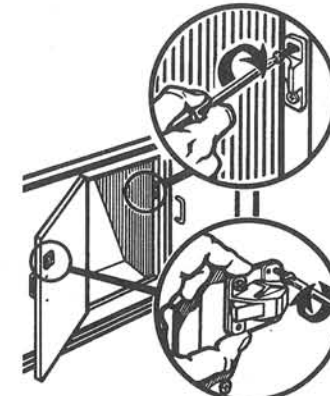


Measure door thickness, then subtract 3/16". Position **drill depth gauge** on bit and move it the required distance from the tip so hole drilled will be within 3/16" of cabinet door front. Drill into "7MM HOLE" location on guide.

Use **CAUTION** and **DO NOT DRILL THROUGH DOOR.**

It is important that the hole you drill is within 3/16" of the front of the door. Hole must also be clean and free of debris.

4



Match striking plate over 2 locations marked during Step 1. Use screws and install loosely so slot adjustment can be made later. Match TOT-LOK Assembly into 7mm holes (install Plunger/Slug if necessary), align over 4 marks (from Step 2) and screw in place with four 1/2" screws. A pair of auxiliary holes are provided for variations in door panels. Assure proper function prior to closing. Note proper position of striking plate and screw it down tight.