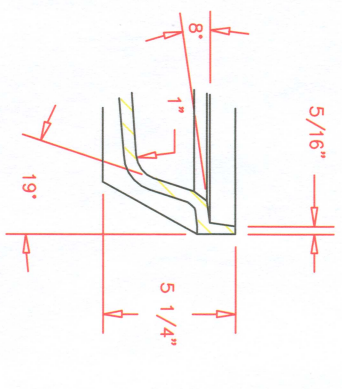
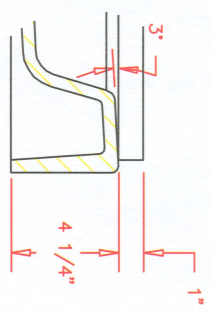


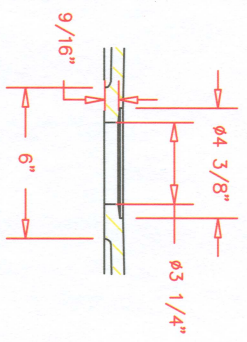
Rev #	
Rev #	



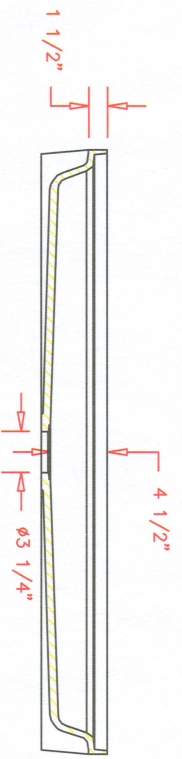
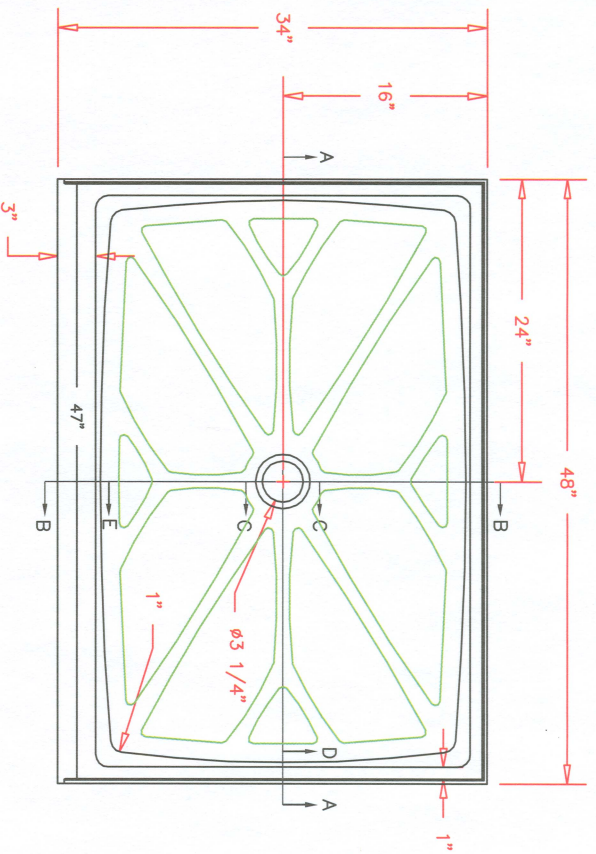
Section D-A



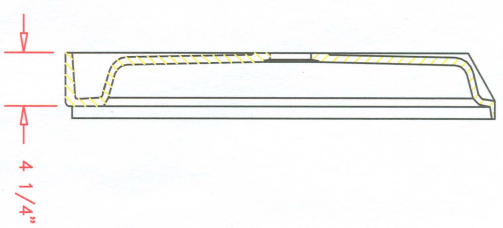
Section E-B



Section C-C



Section A-A



Section B-B

Shower Pan conforms to ANSI Z124.1.2

Refer to installation instructions included with shower pan prior to installation
Installation instructions can also be downloaded from www.transolid.com

Overall dimensional tolerance is + 3/8" - 2"
Rough Opening is width + 3/8"

Customer Approval: _____
Path: @Engineering\1_decorshowerpans

Date: _____



2599 Charlotte Hwy.
Moorestville, N.C. 28117
704-660-7660
FAX 704-660-7661
www.transolid.com

Part Number:	7PAN3448SCCX		
Description:	34" x 48" Decor Shower Pan, Single Threshold, CenterDrain		
Date Drawn:	3/13/07	Weight:	108 lbs. (49 kgs.)
Scale:	None		
Drawn By:	Carlos Hernandez	Revised By:	Jeff Smith
Approved By:		Date Revised:	3/28/07